

Figure 14. - Final Drive 2WD

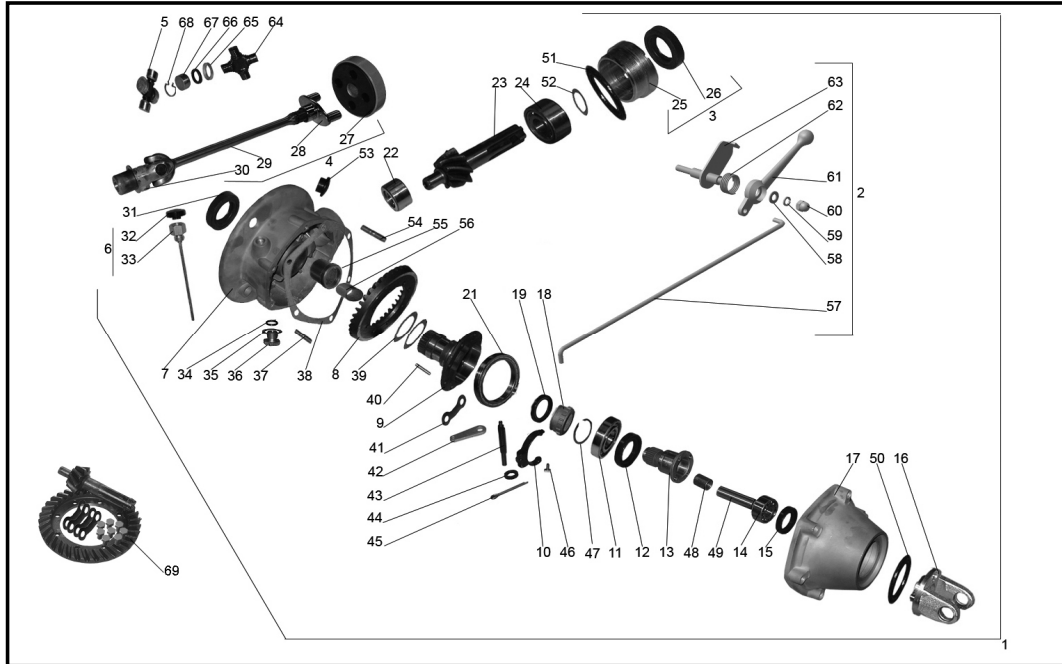


Figure 14. - Final Drive 2WD

Item	Part #	Description	Notes	Q-ty
1	IMZ-8.107-05003	Final drive assy	Installed before July 05	1
1	IMZ-8.107-05003-01	Final drive assy	Installed since July 05. Up-Graded final drive (Rubena seals, longer splines on drive shaft)	1
2	IMZ-8.107-05084	Disengageable drive		1
3	IMZ-8.103-05023	Bearing nut assy	Installed since July 05	1
3	IMZ-8.101-05023-12	Bearing nut assy, final drive	Installed before July 05. Different seal diameter of bore	1
4	IMZ-8.103-05040	Drive shaft assy	Does not include flex coupling #27 - must order seperatly	1
4	IMZ-8.103-05040-10	Drive shaft assy	Installed since July 05. - Does not include flex coupling #27	1
4	IMZ-8.1037-05056	Drive shaft assy	Installed from 2007 - Does not include flex coupling #27	1
5	HM3-8.101-05017	U-Joint assy		1
6	IMZ-8.103-05032	Dipstick and breather		1
7	IMZ-8.107-05101-10	Final drive gear case	Installed before July 05. Different outer diameter of seal	1
7	IMZ-8.107-05101-20	Final drive gear case	Installed since July 05	1
8	72-05227-01	Final drive driven gear	See fig. 14, #69. It is recommended that parts 72-05202-01 & 72-05227-01 are ordered in a set, as they are factory-bedded for noiseless operation	1
9	IMZ-8.107-05229	Driven gear hub	Installed before July 05. Different outer diameter of seal	1
9	IMZ-8.107-05229-10	Driven gear hub	Installed since July 05	1
10	IMZ-8.107-05230	Fork		1
11	7000111	Bearing 7000111 GOST 8338-75	May use new bearing below	1
11	SKF 16011/c3	Bearing	New bearing is allowed	1
12	IMZ-8.107-05046	Seal	Russian - May use new seal below	1
12	NAK TF 03396	Seal	New seal from 2007 - Direct replacement	1
13	IMZ-8.107-05234	Splined hub	Installed before July 05. Different outer diameter	1
13	IMZ-8.107-05234-10	Splined hub	Installed since July 05	1

Figure 14. - Final Drive 2WD

Item	Part #	Description	Notes	Q-ty
14	3056204	Bearing 3056204 GOST 4252-75	May use new bearing below	1
14	SKF 3204 A-2rs1/c3	Bearing	New bearing is allowed	1
15	62-06006-10	Rubber seal assy	Installed before July 05. Different outer diameter of seal	1
15	IMZ-8.103-06006	Rubber seal assy	Installed since July 05	1
15	NAK TC 05120	Rubber seal assy	New seal from 2007 - Replace for all from July 05	1
16	IMZ-8.107-05056	Drive shaft fork assy	Installed before July 05. Different outer diameter of seal	1
16	IMZ-8.107-05056-01	Drive shaft fork assy	Installed since July 05	1
17	IMZ-8.107-05020-50	Final drive cover assy		1
18	IMZ-8.107-05221	Shift sleeve		1
19	62-06006-10	Rubber seal assy	Installed before July 05. Different outer diameter of seal	1
19	IMZ-8.103-06006	Rubber seal assy	Installed since July 05	1
19	NAK TC 05120	Rubber seal assy	New seal from 2007 - Replace for all from July 05	1
21	1000822	Bearing 1000822 GOST 8338-75	Bearing	1
22	72052-2	Double rawball bearing		1
23	72-05202-01	Final drive driving gear	See fig. 14, #69. It is recommended that parts 72-05202-01 & 72-05227-01 are ordered in a set, as they are factory-bedded for noiseless operation	1
24	72052-1	Needle bearing		1
25	IMZ-8.101-05223 -20	Bearing nut	Installed before July 05. Different thread dimension for seal	1
25	IMZ-8.103-05223	Bearing nut	Installed since July 05	1
26	IMZ-8.103-04015-01	Seal assy	Installed before July 05. Different outer & inner diameters	1
26	IMZ-8.103-04015-10	Seal assy	Installed since July 05	1
26	NAK TC 03103	Seal assy	New seal use from July of 2005	1
27	72-05013	Flexible U-joint coupling		1

Figure 14. - Final Drive 2WD

Item	Part #	Description	Notes	Q-ty
28	IMZ-8.103-05307	Flexible U-joint plate	Installed before July 05. Different length of splines	1
28	IMZ-8.103-05307-10	Flexible U-joint plate	Installed since July 05	1
29	IMZ-8.103-05301	Drive shaft	Installed before July 05. Different length of splines	1
29	IMZ-8.103-05301-10	Drive shaft	Installed since July 05	1
30	IMZ-8.101-05049	Drive shaft fork assy	Installed before July 05. Different diameter for seal	1
30	IMZ-8.101-05049-10	Drive shaft fork assy	Installed since July 05	1
31	IMZ-8.101-05039	Gear case seal	Before July of 2005	1
31	NAK TC 02861	Gear case seal	New seal use from July of 2005	1
32	IMZ-8.103-04380	Breather plug		1
33	IMZ-8.103-05034	Dipstick assy		1
34	IMZ-8.101-01135	Ring		1
35	11407	Special washer 14		1
36	IMZ-8.103-01080	Drain plug		1
37	365646-P27	Stud M10x1-6gx64		2
38	IMZ-8.107-05107	Gear case cover gasket		1
39	IMZ-8.107-05251	Shim 1,1mm		1
39	IMZ-8.107-05252	Shim 0,95 mm		1
39	IMZ-8.107-05253	Shim 0,8 mm		1
39	IMZ-8.107-05254	Shim 0,65 mm		1
40	3x15,8A5	Roller 3x15,8A5 GOST 6870-81		45
41	6205232	Lock ring		1
42	IMZ-8.107-05245	Lever		1
43	IMZ-8.107-05231	Shaft		1
44	IMZ-8.103-04017	RH cover seal	Russian - May use new below	1
44	NAK TC 01822	RH cover seal	New seal from 2007 - Direct replacement	1
45	258039-P2	Cotter pin 3,2x20		1
46	IMZ-8.107-05315	Key		2
47	IMZ-8.107-05226	Ring A55		1
48	IMZ-8.101-05246	Distance bushing		1
49	IMZ-8.107-05416-10	Distance bushing		1

Figure 14. - Final Drive 2WD

Item	Part #	Description	Notes	Q-ty
50	IMZ-8.107-05502	O-Ring		1
51	7205224-01	O-Ring		1
52	6205319	Shim 0,18...0,16 mm	Adjusting washer. Used for final drive assembling subject to clearance	1
52	7205320	Shim 0,4... 0,36 mm	Adjusting washer	1
53	62-01254	Stopper		1
54	365648-P27	Stud M10x1-6gx50		4
55	IMZ-8.107-05104-20	Gear case bushing		1
56	IMZ-8.101-05246	Distance bushing		1
57	IMZ-8.107-05237	Tie rod		1
58	252005-P27C	Washer 8		1
59	252155-P2	Washer 8L		2
60	367294-P27C	Blind nut M8		1
61	IMZ-8.107-05068	Side car drive shift lever		1
62	72-04312-01	Quadrant shaft spring		1
63	IMZ-8.107-05055	Shaft aasy with limiter		1
64	IMZ-8.103-05311	Drive shaft cross	See fig. 14 #5. Only sold in assy.	1
65	72-05312	Drive shaft sealing ring	See fig. 14 #5. Only sold in assy.	4
66	72-05313	U-joint sealing ring band	See fig. 14 #5. Only sold in assy.	4
67	72053-2	Needle bearing	See fig. 14 #5. Only sold in assy.	4
68	367309	U-joint lock ring B19		4
69	IMZ-8.107-05047	Bevel gears set		1

Figure 15. - 2WD Shaft

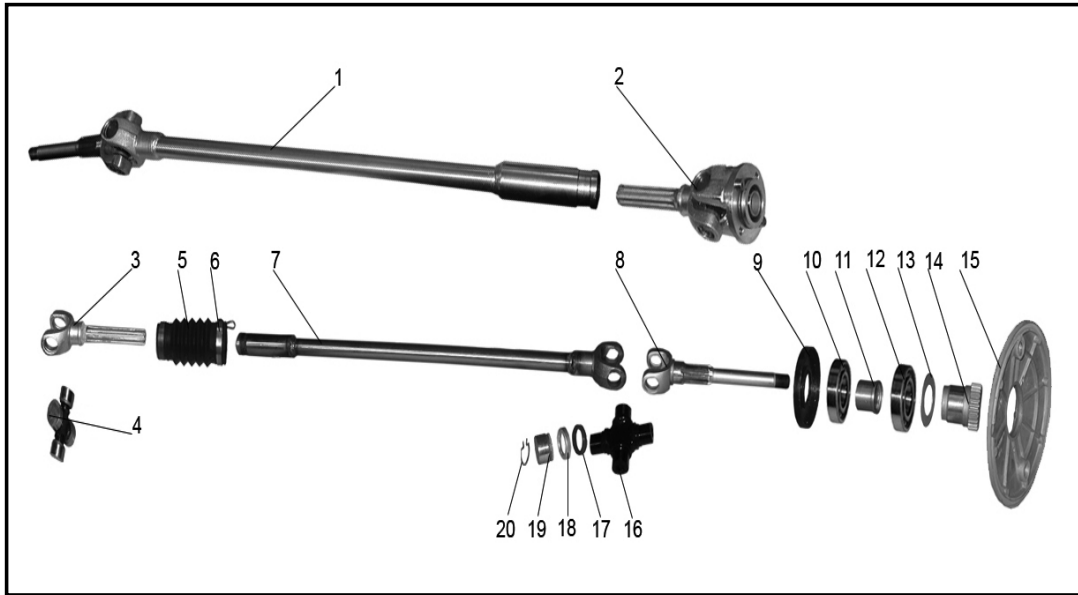


Figure 15. - 2WD Shaft

Item	Part #	Description	Notes	Q-ty
1	IMZ-8.107-05053	Shafts with joint assy		1
2	IMZ-8.107-05051	Shaft with drive shaft fork assy		1
3	IMZ-8.107-05507	Shaft with drive shaft fork	Not sold seperatly - See Fig. 15, item #1 sold only as assy.	2
4	IMZ-8.101-05017	U-joint assy		2
5	IMZ-8.107-05521	Protective cover		1
6	62-15005-10	Clamp		2
7	IMZ-8.107-05054	Drive shaft assy	Not sold seperatly - See Fig. 15, item #1 sold only as assy.	1
8	IMZ-8.107-05514	Sidecar shaft	Not sold seperatly - See Fig. 15, item #1 sold only as assy.	1
9	IMZ-8.107-05515	Protective washer		1
10	180206	Ball bearing	May use new bearing below	1
10	SKF 6206-2rs1/c3	Ball bearing	New bearing from 2007	1
11	IMZ-8.107-05517	Bushing		1
12	180207	Ball bearing	Russian - May use new bearing below	1
12	SKF 6207-2rs1/c3	Ball bearing	New bearing from 2007	1
13	IMZ-8.107-05520	Distance ring		1
14	IMZ-8.107-05516	Hub		1
15	IMZ-8.107-20040	Brake drum cover assy		1
16	ИМЗ-8.107-05503	Drive shaft cross	Not sold seperatly - see Fig. 15, item #4	2
17	ИМЗ-8.107-05504	Drive shaft sealing ring	Not sold seperatly - see Fig. 15, item #4	8
18	ИМЗ-8.107-05505	Sealing ring band	Not sold seperatly - see Fig. 15, item #4	8
19	ИМЗ-8.107-05052	Needle bearing	Not sold seperatly - see Fig. 15, item #4	8
20	2101-2202043	Lock ring		8