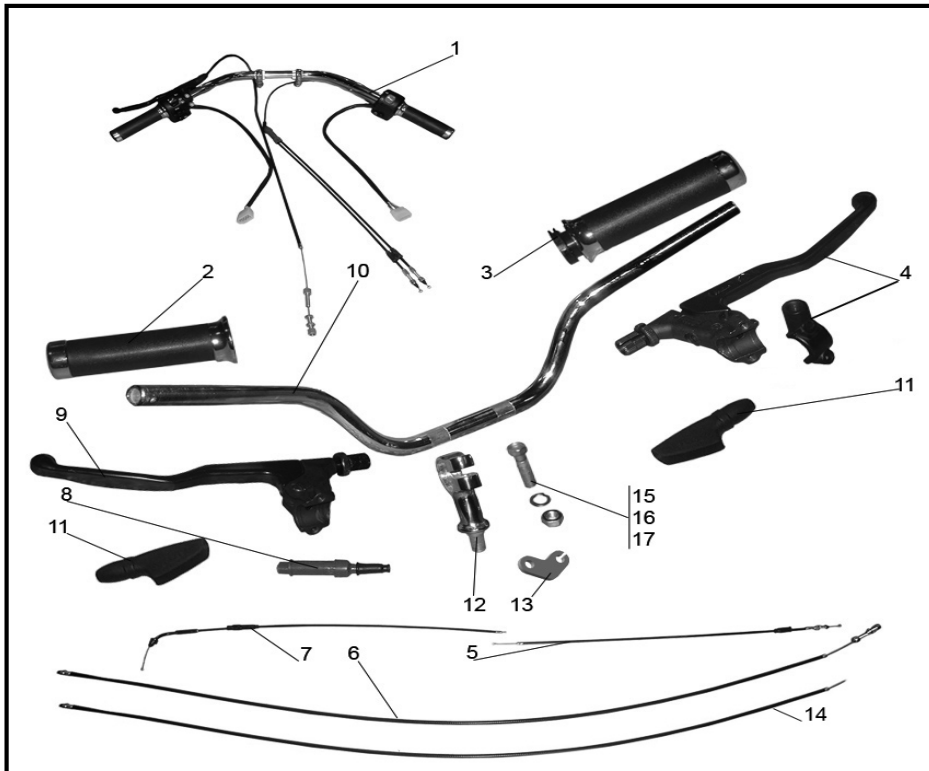


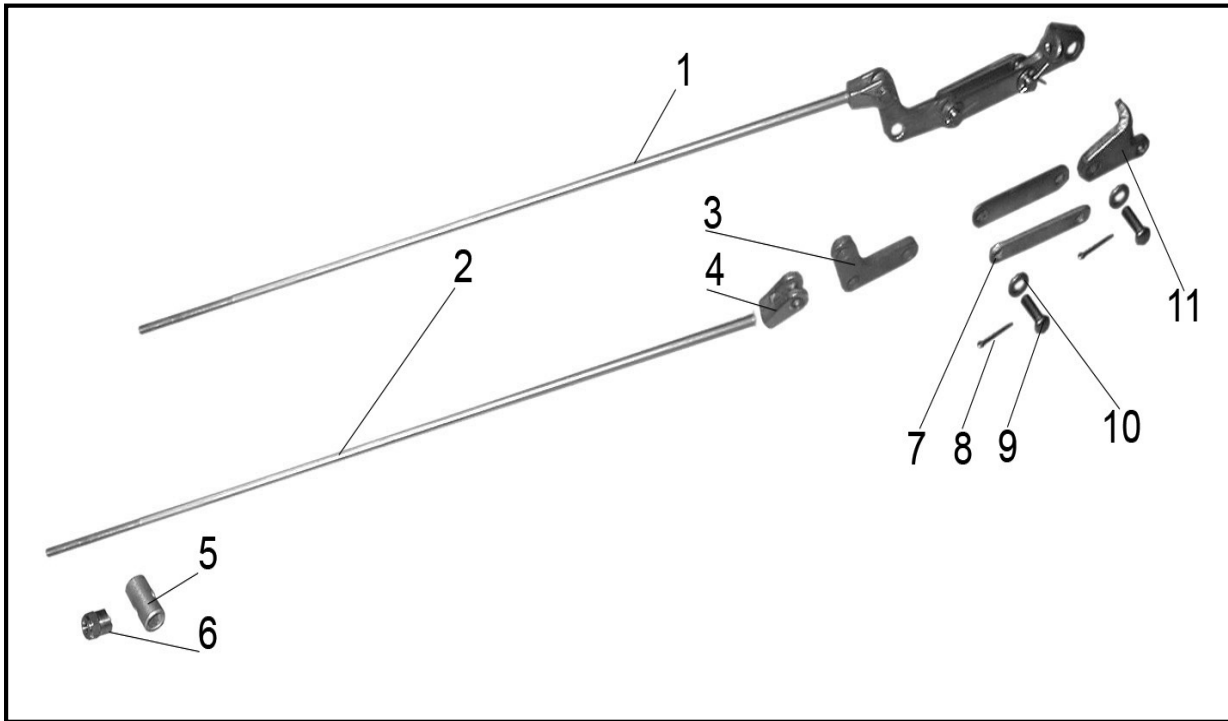
**Figure 25. - Handlebar and Controls**



**Figure 25. - Handlebar and Controls**

Item	Part #	Description	Notes	Q-ty
1	IMZ-8.1037-11001-10	Handlebar assy	For drum brake	1
1	IMZ-8.1236-11001	Handlebar assy (disk brake)		1
2	IMZ-8.1037-11122	Handlebar grip		1
2	974989LH	Handlebar grip - Dakar Black	Off road style - standard on 2007 Gear Up	1
3	IMZ-8.1037-11012	Handlebar grip		1
3	974989RH	Handlebar grip - Dakar Black	Off road style - standard on 2007 Gear Up	1
4	IMZ-8.1037-11013	RH lever assy		1
5	IMZ-8.1037-11036	Throttle cable from adaptor to carburetor		1
6	IMZ-8.1037-11032	Clutch cable assy		1
7	IMZ-8.1037-11035	Throttle cable from twist grip to adaptor		1
8	IMZ-8.1037-11076	Adaptor assy		1
9	IMZ-8.1037-11014	LH lever assy		1
10	IMZ-8.1037-11101-10	Handle bar pipe		1
11	IMZ-8.1037-11142	Rubber pad		1
12	IMZ-8.103-11102	Handlebar bracket		2
12	8.103-11102-2007	Handlebar bracket	Installed from 2007 - 2 piece design	2
13	72 11320-B	Stop, clutch cable sheath		1
14	IMZ-8.1037-11030	Front brake cable assy		1
15	201461-P27C	Bolt M8x32		2
16	250510-P27C	Nut M8		2
17	252155-P27C	Washer 8L		2

**Figure 26. - Rear Brake Linkage**



**Figure 26. - Rear Brake Linkage**

Item	Part #	Description	Notes	Q-ty
1	IMZ-8.103-11049	Rear brake drive		1
2	63-11406	Brake tie-rod		1
3	63-11421	Lever		1
4	IMZ-8.101-06253-01	Tie-rod fork		1
5	72-11404	Rear brake lever bushing		1
6	IMZ-8.103-11413	Tie rod nut		1
7	IMZ-8.101-11422	Driving plate		2
8	258014-P	Cotter pin 2x20, tie-rod pin		1
9	IMZ-8.101-06216	Tie-rod pin		4
10	252005-P29	Washer 8 to tie-rod pin		4
11	63-11416	Rear brake lever		1